

This document captures ideas, experiences, and informal recommendations from the Yaskawa Partner Support team. It is meant to augment – not supersede manuals or documentation from motoman.com. Please contact the Partner Support team at [partnersupport@motoman.com](mailto:partnersupport@motoman.com) for updates or clarification.

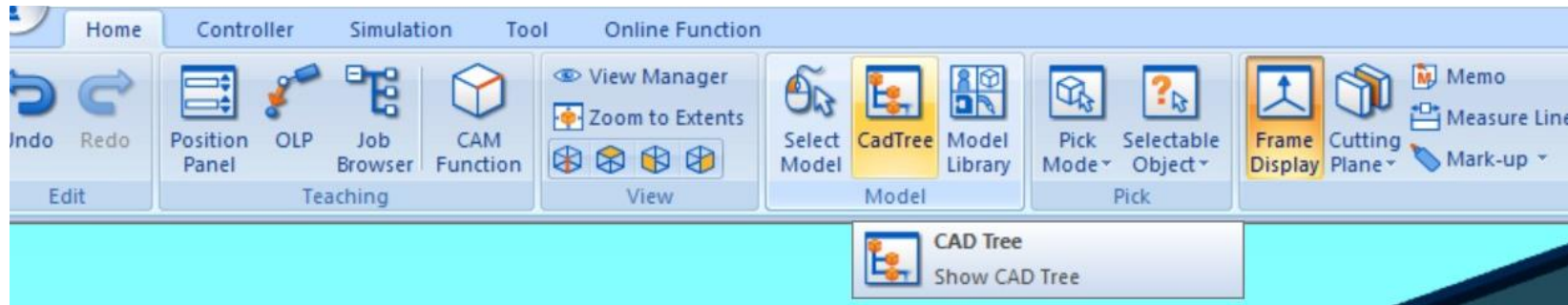
## MotoSim CAD Tree Structure for Arc World

### Introduction

This document will help with the understanding of the CAD Tree structure for parent/child relationships to manipulate models – like the positioner.

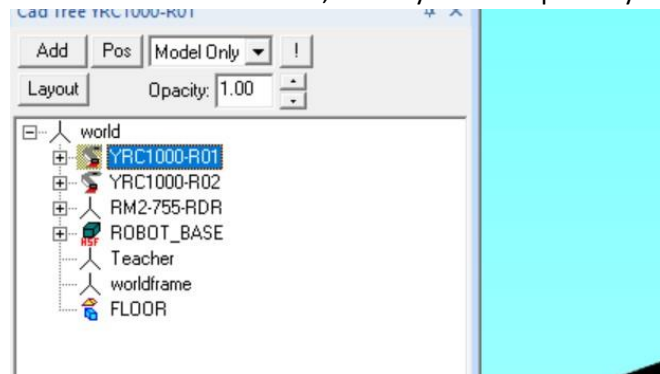
### Open the CAD Tree

First, open the CAD tree to add models.



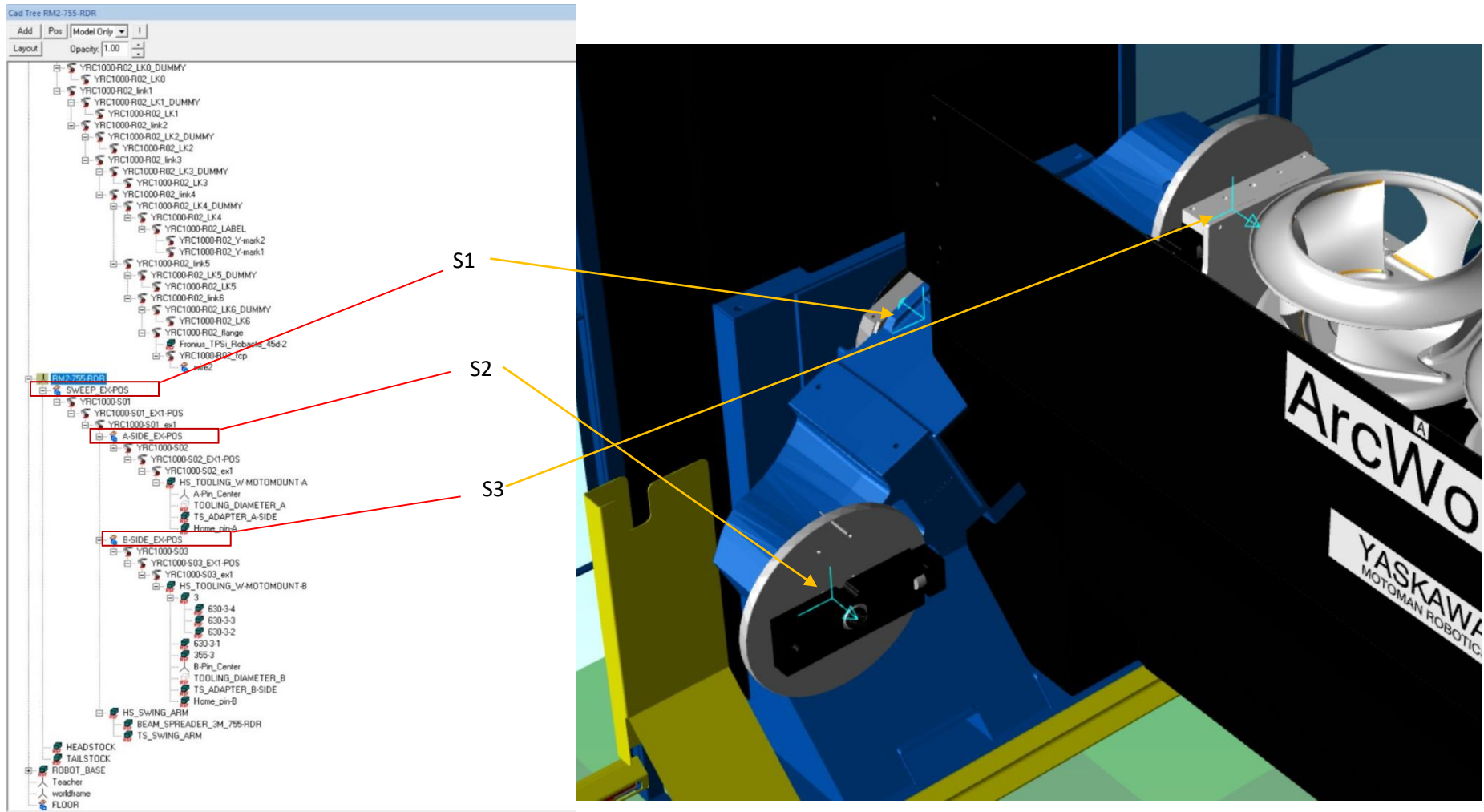
### CAD Tree menu

This is the CAD Tree menu, which you can expand by highlighting what you want to expand and hit the asterisk key on your keyboard number pad.



This document captures ideas, experiences, and informal recommendations from the Yaskawa Partner Support team. It is meant to augment – not supersede manuals or documentation from motoman.com. Please contact the Partner Support team at [partnersupport@motoman.com](mailto:partnersupport@motoman.com) for updates or clarification.

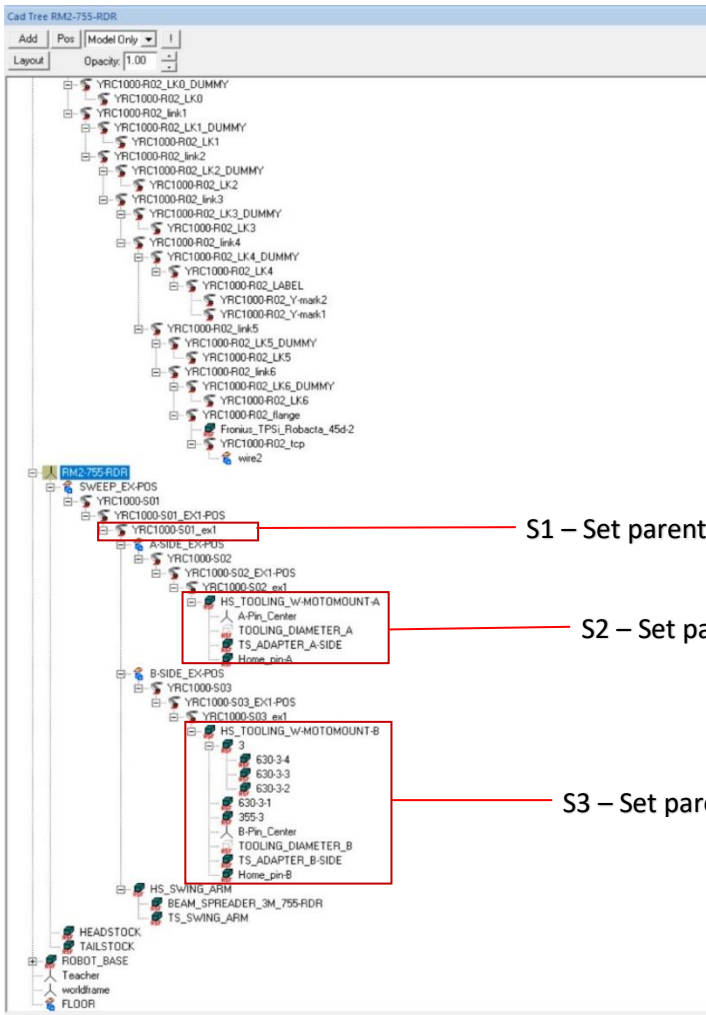
After Expanding the tree by hitting the asterisk, you will start moving, (SET POSITION), of the station frames to their correct locations. Set S1 to center of main sweep axis and S2 to side A center and S3 to side B center. You will need to hide the crossbeam and flash divider models to see the centers of drives.



This document captures ideas, experiences, and informal recommendations from the Yaskawa Partner Support team. It is meant to augment – not supersede manuals or documentation from motoman.com. Please contact the Partner Support team at [partnersupport@motoman.com](mailto:partnersupport@motoman.com) for updates or clarification.

## Attaching the Models

Next, you will attach the appropriate models to each axis to control the positioner.



S1 – Set parent of models of S1. Everything for S2 & S3 will be set under YRC1000-S01\_ex1

S2 – Set parent of all models needed for S2 ( Side A ) - Including fixture and parts.

S3 – Set parent of all models needed for S3 ( Side B ) - Including fixture and parts.